

Model No. LTW123GTC

Extra large dual security digital combination and key safe

Best Used For:



Fire



Flood



Jewels



A4 Paper Documents



Storage Devices,
USB Flash Drives



Small Electronics

Overview & Features

Product Features

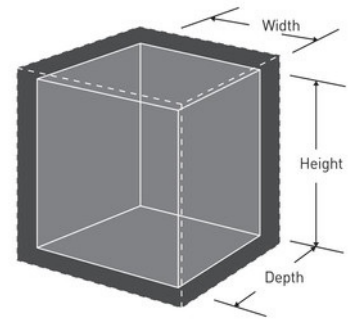
- Steel construction with fire and water protection
- 4 large, live locking bolts of 2,5cm diameter and pry resistant hinge bar for a higher level of resistance
- UL/ETL verified 120 minutes fire protection for documents, official papers, as well as digital items (CD, USB sticks) up to 1010°C
- ETL verified water protection up to 20cm for 24 hours to protect documents and other valuable items from flood damage
- ETL verified to withstand a 4,5-meter drop during a fire and stay closed
- Programmable Dual Digital Lock with backlit keypad for an easy use even in dark places: 2 resettable combination + 1 Master combination (non programmable) + key lock
- Interior light, multi-position tray and built-in storage on the door
- Bolt down hardware included

Product Details

The Master Lock 2 hours fire and water resistant safe combines our longest lasting fire protection with advanced security features. The safe comes with a dual electronic lock with key, 4 large live-locking bolts 60% bigger than traditional safes and a pry-resistant hinge bar for additional benefits.

Product Specifications

Product Number	LTW123GTC
Description	Commercial Boxed Packaging
Master Carton Qty	1
Exterior dimensions (H x W x D)	45,3cm x 41,5cm x 49,1cm
Interior dimensions (H x W x D)	34,9cm x 31,9cm x 30,2cm
Interior Volume	33,6L
Weight W/o Packaging	58,2kg
Colour	Grey Medium
Batteries	Requires 4 AAA batteries (not included)



Master Lock Europe S.A.S.

131, avenue Charles de Gaulle - 92200 Neuilly sur Seine - France
O:+33-1-41437200 | F:+33-1-41437204
www.masterlock.eu